

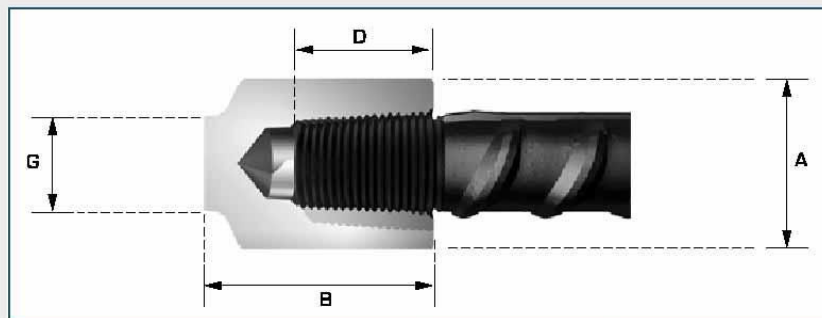
MOMENT WELDABLE COUPLER



UNIQUE FEATURES

- Offers simple and fast solution for connecting reinforcement bar to structural steel elements.
- Design based on barbreak coupler with internal taper thread on 1 end and the other end prepared for welding.
- Constructed in High Strength Machinery Steel Grade S45C.
- For installation purpose, the weld coupler is best install welded at fabricating shops with suitable type of welding electrode to ensure the compatibility of material properties.
- Welding works shall be executed by certified welders in accordance to all necessary welding regulations.

MOMENT weldable coupler is designed for connecting reinforcing bar to structural steel members such as plates, piles, beams, columns, etc. Coupler is normally arc welded to the structural steel in a fabricating yard. The load conditions at the connection must be considered and determined by the designer along with the design of the weld, the selection of electrode, and other relevant choices to be used, which must be matched to the properties of the plate and tube, and to the site conditions. Normally coupler is arc welded to the structural steel in a fabricating yard.



A - Diameter of coupler **B** - Length of coupler **D** - Bar engagement **G** - Weld diameter

Size	D10	D12	D14	D18	D18	D20	D22	D25	D28	D30	D32	D34	D38	D40	D50
A	20	22	25	25	28	30	32	36	33	45	45	48	50	60	70
B	35	40	43	45	48	50	55	60	63	68	70	75	80	90	120
D	17	20	21	22	24	26	27	32	32	34	42	42	44	52	72
G	10	12	14	18	18	20	22	25	28	28	32	34	38	40	50

APPLICATION OF HALF COUPLERS & COMPOSITE STRUCTURES

